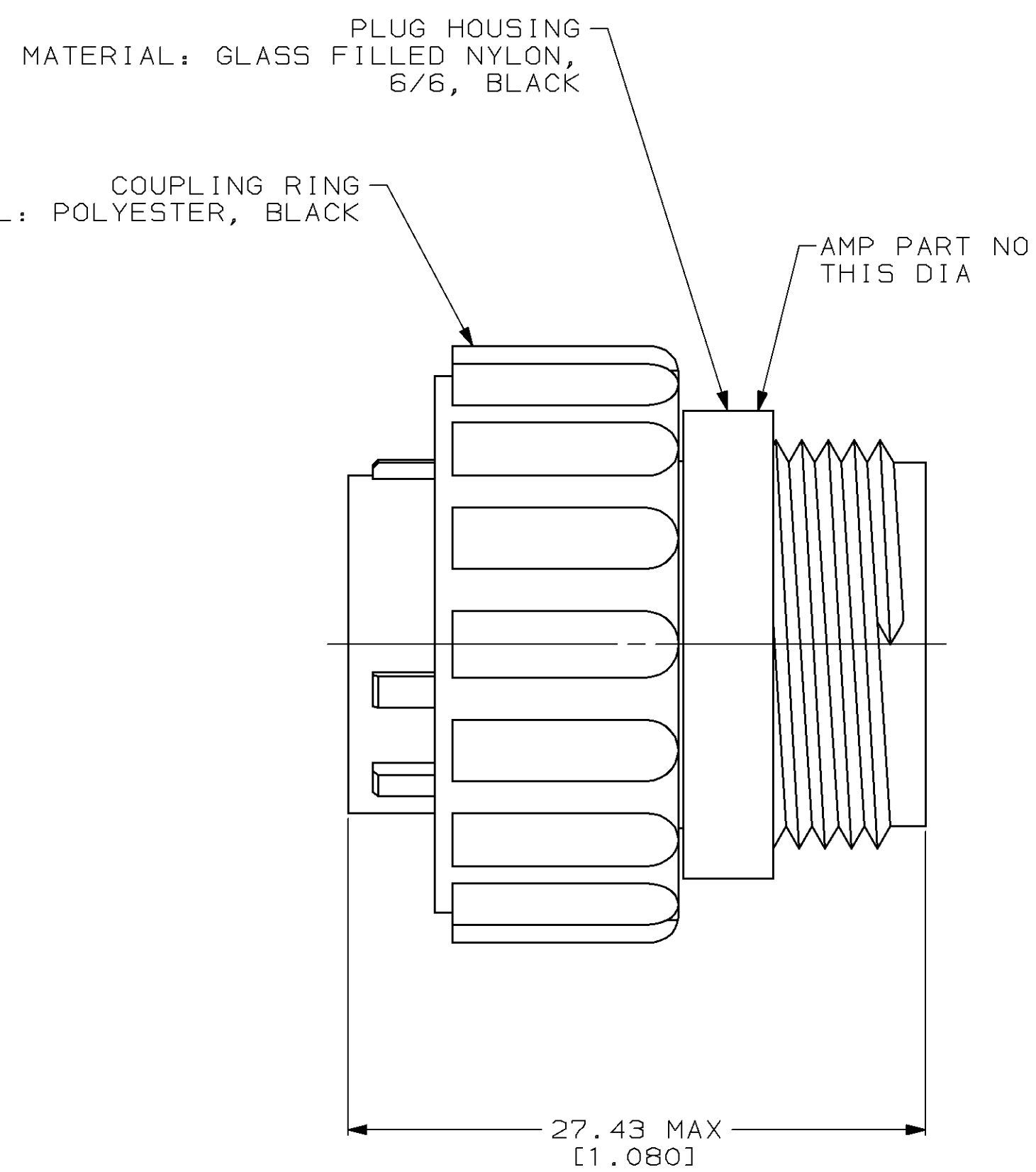
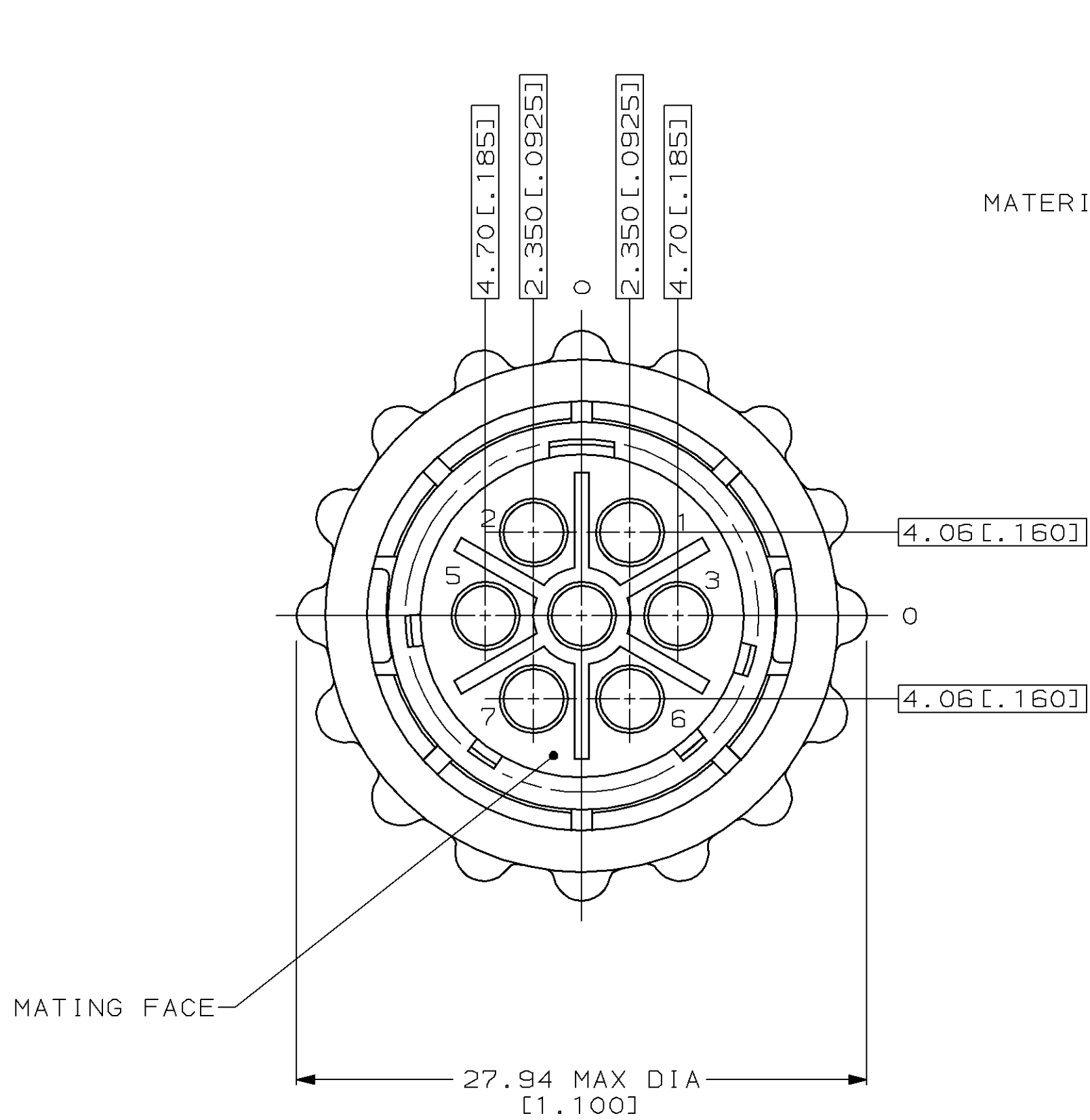


LOC	DIST	P	F	ZONE	LTR	DESCRIPTION	DATE	APPD
FT	4				B	REDRAWN W/O CHANGE PER EC 0020-677-94	07/01/94	AF
					C	REV PER EC 0020-568-95	18 JUL 95	AF
					D	REV PER EC 0320-244-97	07 OCT 97	KD



- CONTACT CAVITIES IDENTIFIED BY CHARACTERS ON FRONT AND REAR FACES OF CONNECTOR.
- WILL ACCEPT SEVEN (7) MULTIMATE SOCKET CONTACTS.

DO NOT SCALE PRINT. UNLESS SPECIFIED DIMENSIONS IN mm [INCHES] TOLERANCES ON:		DR 07-01-94 D.HARDY		211399-1	
2 PLC DEC ± -		CHK 08-10-94 R.STONE		PART NO	
3 PLC DEC ± -		APPD 10-03-94 A.FRANTUM		AMP Incorporated Harrisburg, PA 17105-3608	
ANGLES ± -		APPD 10-03-94 A.FRANTUM		NAME	
MATERIAL	SEE CALLOUTS	PRODUCT SPEC		PLUG ASSEMBLY, STANDARD SEX, 13-7, CPC	
FINISH	-	APPLICATION SPEC		SIZE	CAGE CODE
		WEIGHT		C	00779
				DRAWING NO	G=211399
				SCALE	4:1
				SHEET	1 OF 1

THIS DRAWING IS A CONTROLLED DOCUMENT FOR AMP INCORPORATED. IT IS SUBJECT TO CHANGE AND THE CONTROLLING ENGINEERING ORGANIZATION SHOULD BE CONTACTED FOR THE LATEST REVISION.